



V-Series Automatic Screen Filters



V-Series Specifications

General Information

The V-Series design is the most recent, state-of-the-art self-cleaning screen filtration technology available today. The complexity and cleaning efficiency of any self-cleaning screen filter is in the mechanical system that drives the cleaning process. The V-Series® patented “BHD” drive mechanism is the simplest and most efficient in design resulting in:

- fewer moving parts (no limit switches or pistons reversing the cleaning mechanism),
- simpler controls,
- lowest flush flow available,
- greater cleaning efficiency, and
- lower maintenance requirements.

The V-Series’ 12 to 15 second flush cycle is automatically initiated when a pressure differential across the screen increases to .5 bar (7 psi). The filter remains on-line and the filtration process remains uninterrupted during the brief cleaning process. The flush discharge is the lowest available resulting in minimal waste.

The V-Series filters are available in ASME code and are manufactured in an ASME facility. The filters are available in a broad range of materials, pressure ratings, and temperature ratings to suit any need. VAF custom manufactures filters and skids that simplify installation and meet specific requirements.

For more information contact VAF Filtration Systems!
Wherever Water Flows...

Materials

- Filter body • 3” - 20” inlet/outlet, 316 SS
- Screens • 316L SS sintered **
- Flanges • AWWA Class D **
- Seals • nitrile, viton, silicone **

Filtration Range

- 10 to 1500 micron **

Flow Range

- 7 to 1364 m³/hr (30 to 6000 gpm) per filter *

Max Pressure

- 10.3 bar (150 psi) **

Min Pressure

- 2 bar (30 psi) **

Max Temp

- 80° C (176° F) **

Flush Cycle

- 12 to 15 seconds

Control Options

- VF -AC - electronic, up to 12 filters
- MicroFlush - up to 4 filters

* Varies depending on micron level.

** Other options are available on request.

VAF Filtration Systems

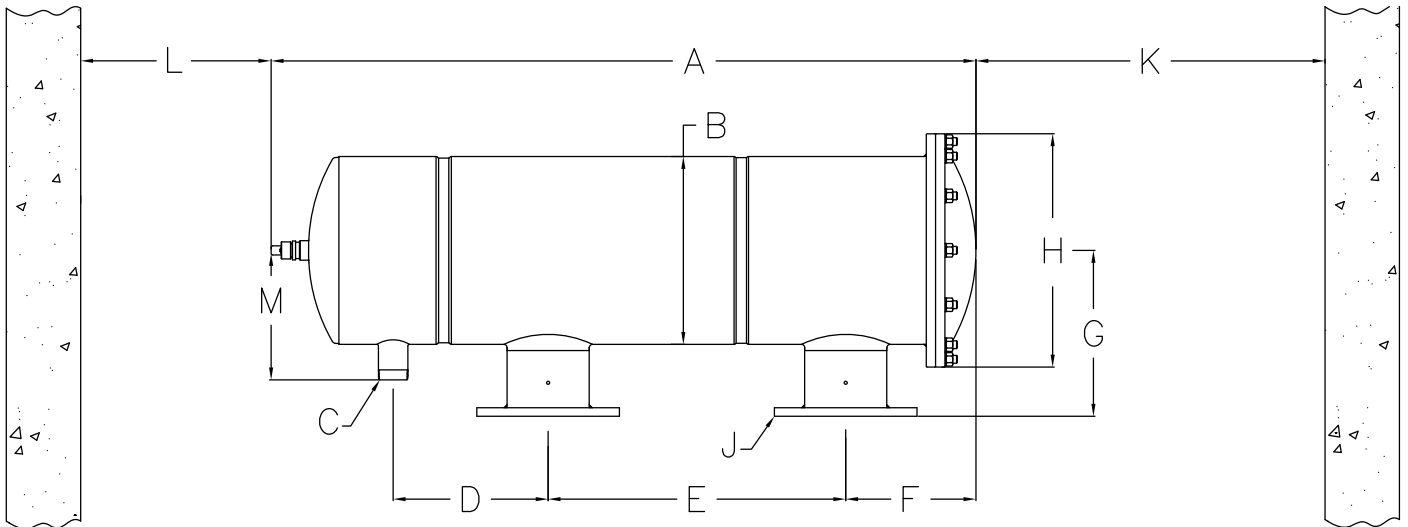
5270 Marshall Street, Arvada, CO 80002 USA

Phone +1 303 425 4242 Fax +1 303 425 0112

www.valveandfilter.com

sales@valveandfilter.com

Dimensions



Model	Dimensions - cm												screen area	nominal flow (m ³ /hr)			flush flow	# of nozzles
	A	B	C	D	E	F	G	H	J	K	L	M		Micron				
	length	body dia.	flush line						flange	clearance			cm ²	100	200	300	liters	
V-250-X	97.0	25.7	3.8	19.3	29.2	23.9	23.4	34.3	7.6-10.2	91.4	20.3	19.3	1445	61	82	91	30	2
V-500-4	122.9	25.7	3.8	21.8	54.6	22.9	23.4	34.3	10.20	114.3	20.3	19.3	2890	123	164	182	57	4
V-500-6							27.4		15.20									
V-1000-X	154.2	38.6	5.1	34.5	61.0	28.4	33.5	47.8	15.2-20.3	152.4	20.3	26.9	5594	239	318	352	57	4
V-1500-8	184.9	38.6	5.1	34.5	91.4	28.4	33.5	47.8	20.3	177.8	20.3	26.9	8387	364	477	534	87	6
V-1500-10							37.6		25.4									
V-2000-X	205.5	51.6	5.1	45.7	91.4	44.2	42.7	69.9	25.4-30.5	177.8	20.3	32.8	10942	474	636	695	114	6
V-3500-X	316.2	61.0	7.6	93.5	127.0	58.2	50.8	81.3	35.6-40.6	304.8	20.3	41.4	19742	834	1114	1218	167	8

Note: VAF "nominal flow" rates shown are for 100, 200 and 300 micron filtration ratings for demonstration purposes only. Larger micron ratings result in higher allowable flow rates. Smaller micron ratings result in lower allowable flow rates.

Model	Dimensions - inches												screen area	nominal flow (gpm)			flush flow	# of nozzles
	A	B	C	D	E	F	G	H	J	K	L	M		Micron				
	length	body dia.	flush line						flange	clearance			in ²	100	200	300	gallons	
V-250-X	38.2	10.1	1.5" NPT	7.6	11.5	9.4	9.2	13.5	3-4	36.0	8.0	7.6	224	270	360	400	8	2
V-500-4	48.4	10.1	1.5" NPT	8.6	21.5	9.0	9.2	13.5	4	45.0	8.0	7.6	448	540	720	800	15	4
V-500-6							10.8		6									
V-1000-X	60.7	15.2	2" NPT	13.6	24.0	11.2	13.2	18.8	6-8	60.0	8.0	10.6	867	1050	1400	1550	15	4
V-1500-8	72.8	15.2	2" NPT	13.6	36.0	11.2	13.2	18.8	8	70.0	8.0	10.6	1300	1600	2100	2350	23	6
V-1500-10							14.8		10									
V-2000-X	82.1	20.3	2" NPT	18.0	36.0	17.4	16.8	27.5	10-12-14	70.0	8.0	12.9	1696	2085	2800	3060	30	6
V-3500-X	124.5	24.0	3" NPT	36.8	50.0	22.9	20.0	32.0	14-16-20	120.0	8.0	16.3	3060	3670	4900	5360	44	8

Note: VAF "nominal flow" rates shown are for 100, 200 and 300 micron filtration ratings for demonstration purposes only. Coarser micron ratings result in higher allowable flow rates. Finer micron ratings result in lower allowable flow rate. Please contact sales@valveandfilter.com for current drawings. Dimensions subject to change.

Nominal Flow rate in m³/hr or gpm shown for each model is the maximum flow rate for that model with 100, 200 and 300 micron screens.

Flush Flow volume shown for each model is the volume of water used for that model when the pressure available to the filter is 2.4 bar (35 psi) during a 15 second flush cycle.

VAF Filtration Systems

5270 Marshall Street, Arvada, CO 80002 USA

Phone +1 303 425 4242 Fax +1 303 425 0112

www.valveandfilter.com

sales@valveandfilter.com