

V-200PA Automatic Screen Filter

V-200PA Specifications

General Information

The new V-200PA features the most advanced and cost effective self-cleaning screen filtration technology available today. Ideal for flow rates from 20 gpm (1.3 lps) to 220 gpm (13.9 lps); the V-200PA offers a cost effective solution for automatic filtration down to 10 micron.

The new V-Series® patented drive mechanism used in the V-200PA is the most efficient and simplistic design available resulting in:

- fewer moving parts,
- simpler controls,
- the lowest flush flow rates and volumes available,
- high cleaning efficiencies; cleans in one pass,
- very low maintenance requirements.

The V-200PA is constructed using glass reinforced nylon and 316L stainless steel. The inherent corrosion resistance of these materials ensures a long service life under a wide range of water quality conditions.

The V-Series' 10 to 15 second flush cycle is automatically initiated when a pressure differential across the screen increases to a maximum of 7 psi (45 kPa). The filter remains on-line, and the filtration process remains uninterrupted during the cleaning process. The flush discharge is the lowest available resulting in minimal waste.

The V-200PA is perfectly suited for process water, cooling tower filtration, pre-filtration of membrane, irrigation, or wherever suspended solids are removed down to 10 micron.

When installed with a hydraulic controller and diaphragm valve, the filtration system operates completely with line-pressure without requiring any electricity. The ideal solution for remote filtration applications.

Call Valve and Filter and discover the reasons our customers stay with us. Wherever Water Flows...

Materials

- | | |
|-------------|--|
| Filter body | <ul style="list-style-type: none">• 3" NPT inlet/outlet• 3" BSP inlet/outlet• Glass reinforced Nylon |
| Screens | <ul style="list-style-type: none">• 316L SS sintered ** |

Filtration Range • 10 to 1500 micron **

Flow Range • 20 to 220 gpm per filter
• 1.3 to 13.9 l/s per filter

Max Pressure • 150 psi (1034 kPa) **

Min Pressure • 30 psi (206 kPa) **

Max Temp • 176° F (80° C) **

Flush Cycle • 10 to 15 seconds

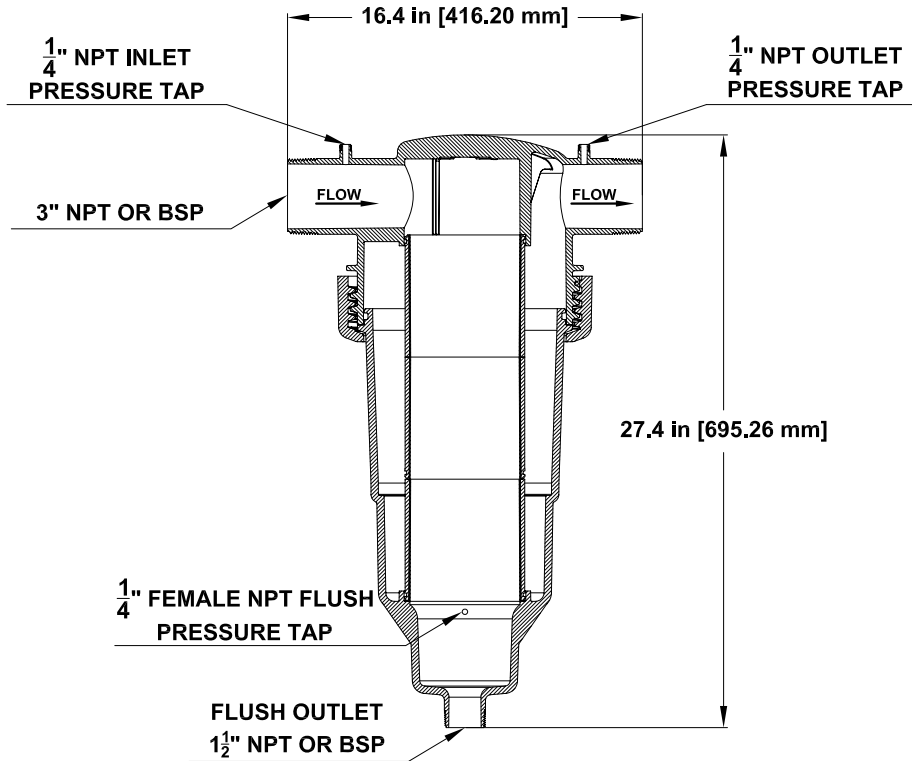
Control Options • VF1-H - single filter hydraulic controller, does not require electricity.
• VF1-B - battery powered, single filter
• VF-AC - electronic, up to 12 filters
• VF-PFC - programmable, electronic, data logging, multiple interface options

** Other options are available on request.

Valve and Filter

5270 Marshall Street, Arvada, CO 80002 USA
Phone 303-425-4242 Fax 303-425-0112
www.valveandfilter.com
sales@valveandfilter.com

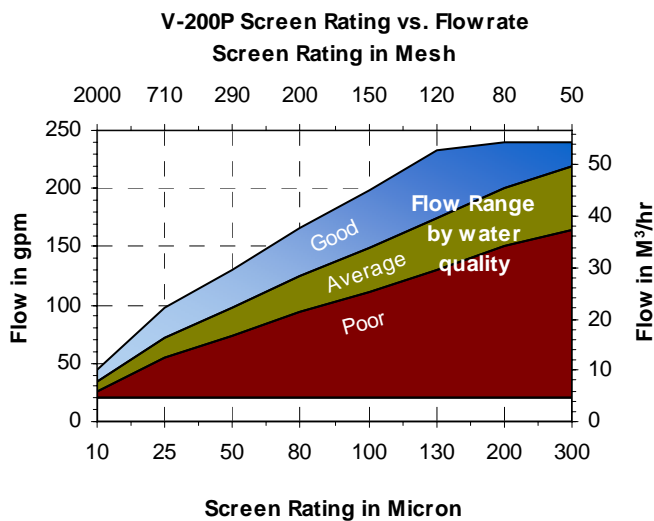
Dimensions



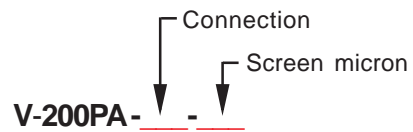
Model	Screen Area		Nominal Flow				Flush Flow (10 sec.)		# of Nozzles	Dry Weight
	in ²	cm ²	50 micron (270 mesh)	80 micron (200 mesh)	100 micron (150 mesh)	120 micron + coarser (120 mesh)	gal	liter		
V-200P	175	1130	131gpm 8.3lps	158gpm 9.9lps	193gpm 12.1lps	220gpm 13.9lps	3	11	3	25lbs 10kg

Nominal Flow rates shown above are for demonstration purposes only. Smaller micron ratings result in lower allowable flow rates. Call Valve and Filter for details. Dimensions are approximate, please contact Valve and Filter for drawings.

Flow Information



How To Order



STYLES

A - Automatic self-cleaning screen filter

CONNECTIONS

3" NPT - 3N
3" BSP - 3B

SCREEN MICRON**

10, 15, 25,
50, 80, 100,
120, 200, 300

** Microns shown are in stock.

Other microns available on special request.

Valve and Filter

5270 Marshall Street, Arvada, CO 80002 USA

Phone 303-425-4242 Fax 303-425-0112

www.valveandfilter.com

sales@valveandfilter.com