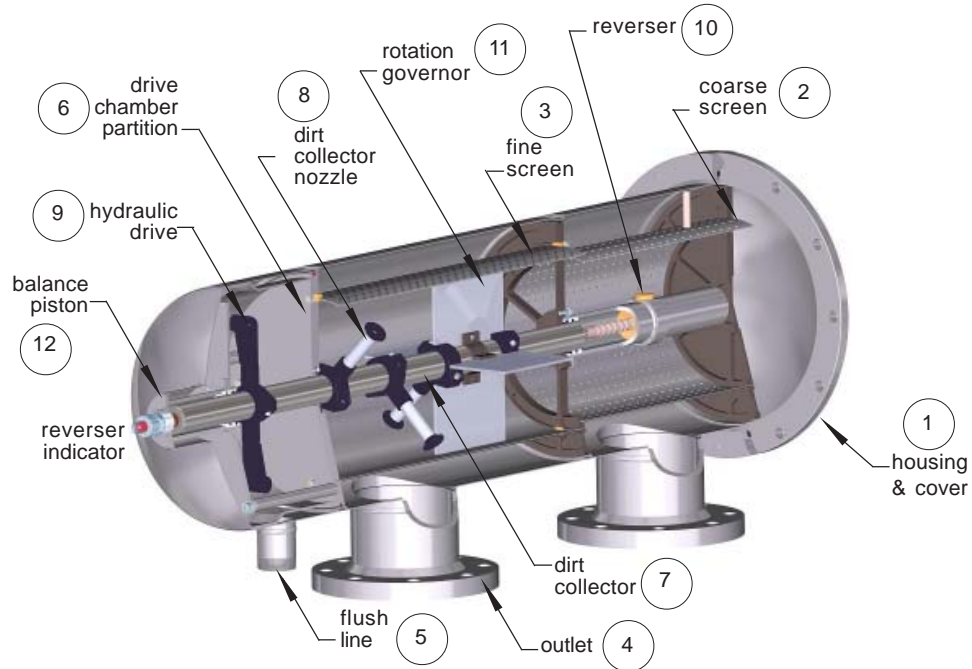




V-SERIES AUTOMATIC SCREEN FILTER MATERIALS OF CONSTRUCTION



Item	Description	Material
1	Housing & Cover	316L Stainless Steel
2	Coarse Screen	316L Stainless Steel (perforated)
3	Fine Screen	316L Stainless Steel (sintered)
4	In/Outlet Flanges	AWWA Class D Stainless Steel
5	Flush Line	316L Stainless Steel (MNPT)
6	Chamber Bulkheads	316L Stainless Steel, Glass Reinforced Acetal
7	Dirt Collector	316L Stainless Steel
8	Collector Nozzle	CPVC
9	Hydraulic Drive	CPVC and Glass Reinforced Nylon
10	Reverser	Acetal
11	Rotation Governor	Glass Reinforced Acetal and Nylon

VAF Filtration Systems

5270 Marshall Street, Arvada, CO 80002 USA
 Phone +1 303 425 4242 Fax +1 303 425 0112
www.valveandfilter.com
sales@valveandfilter.com