



V-Series Automatic Screen Filters

V-Series Specifications

General Information

The V-Series design is the most recent, state-of-the-art self-cleaning screen filtration technology available today. The complexity and cleaning efficiency of any self-cleaning screen filter is in the mechanical system that drives the cleaning process. The new V-Series® patented drive mechanism is the simplest and most efficient in design resulting in:

- fewer moving parts (no limit switches or pistons reversing the cleaning mechanism),
- simpler controls,
- lowest flush flow available,
- greater cleaning efficiency, and
- lower maintenance requirements.

The V-Series' 5 to 30 second flush cycle is automatically initiated when a pressure differential across the screen increases to 1 KPa. The filter remains on line, and the filtration process remains uninterrupted during the cleaning process. And the flush discharge is the lowest available resulting in minimal waste.

The V-Series filters are constructed to ASME code and are designed to incorporate a broad range of construction materials, and pressure and temperature options. And Valve and Filter custom manufactures filters and skids that simplify installation and meet specific requirements.

Call Valve and Filter, and discover the reasons our customers stay with us.

Materials

- | | |
|-------------|--|
| Filter body | <ul style="list-style-type: none">• 51-254 mm inlet/outlet, 316 SS• 254-508 mm inlet/outlet, epoxy coated carbon steel ** |
| Screens | <ul style="list-style-type: none">• 316L SS sintered ** |
| Flanges | <ul style="list-style-type: none">• AWWA Class D ** |
| Seals | <ul style="list-style-type: none">• nitrile, viton, silicone |

Filtration Range

- 15 to 1500 micron **

Flow Range

- 2-232 lps per filter (with 130 micron screen)

Max Pressure

- 21.8 KPa (10.5 kg/cm²) **

Min Pressure

- 5.1 KPa (2.5 kg/cm²) **

Max Temp

- 176° F (80° C) **

Flush Cycle

- 5 to 30 seconds

Control Options

- VF -AC - electronic, up to 12 filters
- VF-PFC - programmable, electronic, data logging, multiple interface options

** Other options are available on request.

Valve and Filter

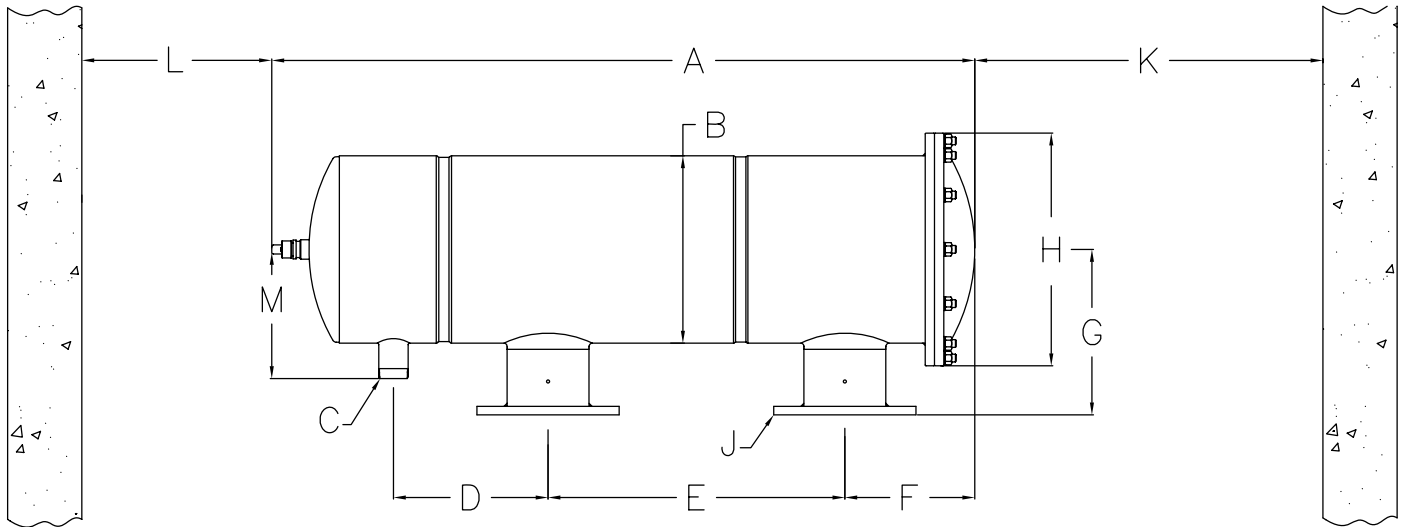
5270 Marshall Street, Arvada, CO 80002 USA

Phone 303-425-4242 Fax 303-425-0112

www.valveandfilter.com

sales@valveandfilter.com

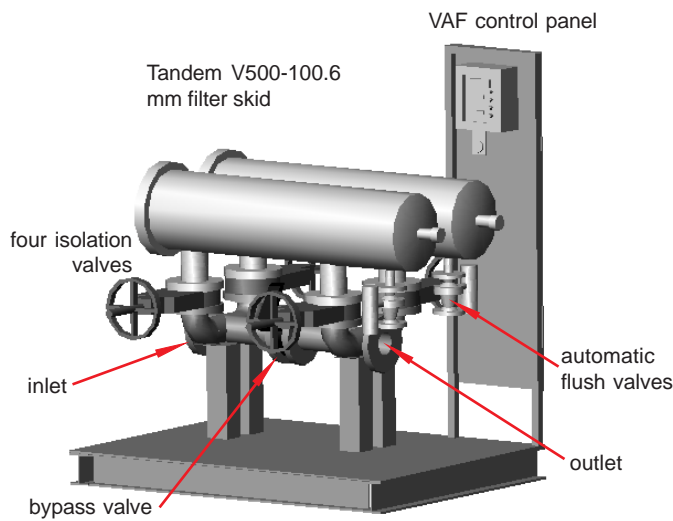
Dimensions



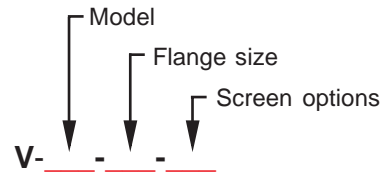
Model	Dimensions - cm												screen area cm ²	nominal flow (l/s)			flush flow liters	# of nozzles
	A	B	C	D	E	F	G	H	J	K	L	M		Micron				
	length	body dia.	flush line						flange	clearance					100	200		
V-250-X	97.0	25.7	3.8	18.0	29.2	23.9	23.4	34.3	7.6-10.2	91.4	20.3	17.5	1445	17	23	25	30	2
V-500-4	122.9	10.1	3.8	21.8	54.6	22.9	23.4	34.3	10.20	114.3	20.3	17.5	2890	34	45	50	57	4
V-500-6							24.4		15.20									
V-1000-X	154.2	38.6	5.1	34.5	61.0	28.4	33.5	47.8	15.2-20.3	152.4	20.3	10.4	5594	66	88	96	57	4
V-1500-8	184.9	38.6	5.1	34.5	91.4	28.4	33.5	47.8	20.3	177.8	20.3	26.4	8387	98	131	144	87	6
V-1500-10							37.6		25.4									
V-2000-X	205.5	56.4	5.1	43.2	91.4	41.7	46.0	73.7	25.4-30.5	203.2	20.3	37.6	10942	129	172	193	125	6
V-2500-X	244.3	5.6	7.6	48.3	121.9	45.2	46.0	73.7	30.5-35.6	215.9	20.3	37.6	14594	171	242	265	167	8
V-3500-X	316.2	61.0	7.6	88.1	127.0	58.2	50.8	81.3	35.6-40.6	304.8	20.3	41.4	19742	232	309	338	167	8

Note: Valve and Filter "nominal flow" rates shown are for 100, 200 and 300 micron filtration ratings for demonstration purposes only. Larger micron ratings result in higher allowable flow rates. Smaller micron ratings result in lower allowable flow rate.

Typical Application



How To Order



OPTIONS:

Models	Flange sizes	Screen options **
250	76.2, or 100.6	10, 15,
500	100.6, or 152.4	25, 40,
1000	152.4, or 203.2	50, 80,
1500	203.2, or 254.0	100, 120,
2000	254.0, or 304.8	150, 200,
2500	304.8, 355.6, 406.4	&
3500	355.6, 406.4, 508	300 Micron

** Other micron on special request.

Valve and Filter

5270 Marshall Street, Arvada, CO 80002 USA
 Phone 303-425-4242 Fax 303-425-0112
www.valveandfilter.com
sales@valveandfilter.com