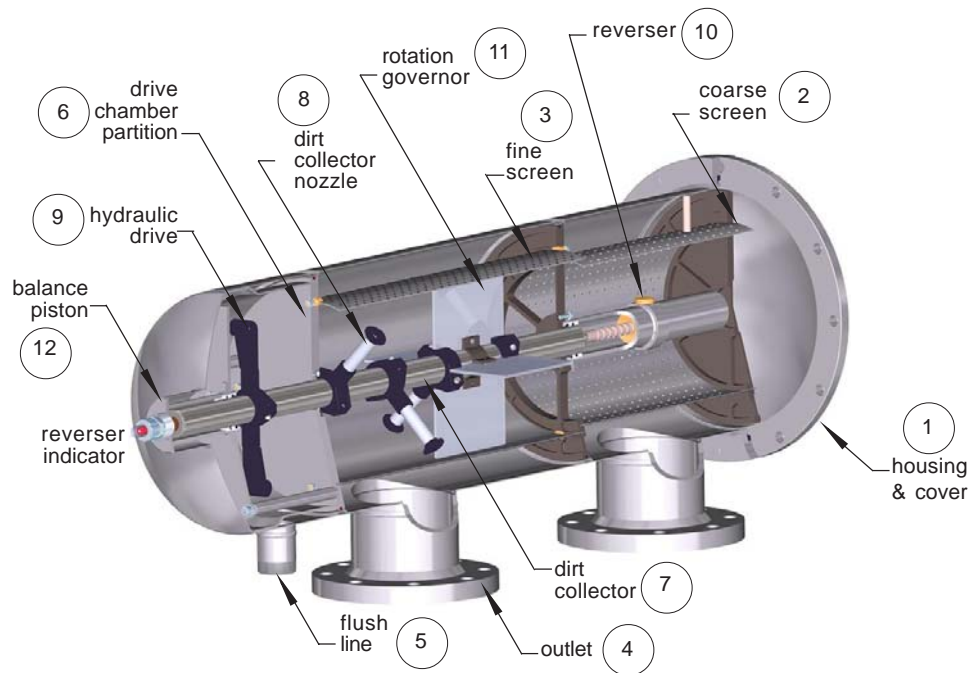




V-SERIES AUTOMATIC SCREEN FILTER MATERIALS OF CONSTRUCTION



Item	Description	Material
1	Housing & Cover	316L Stainless Steel
2	Coarse Screen	316L Stainless Steel (perforated)
3	Fine Screen	316L Stainless Steel (laminated)
4	In/Outlet Flanges	AWWA Class D Stainless Steel
5	Flush Line	316L Stainless Steel (MNPT)
6	Chamber Bulkheads	316L Stainless Steel, engr grade plastics
7	Dirt Collector	316L Stainless Steel
8	Collector Nozzle	Engineering grade plastics
9	Hydraulic Drive	Engineering grade plastics
10	Reverser	316L Stainless Steel, Acetal
11	Rotation Governor	Engineering grade plastics

Valve and Filter

5270 Marshall Street, Arvada, CO 80002 USA

Phone 303-425-4242 Fax 303-425-0112

www.valveandfilter.com

sales@valveandfilter.com