



Insertion Flow Meters



TX101/201 Insertion Turbine Specifications

Sensor	<ul style="list-style-type: none">• Hall-Effect• 12 VDC current sinking pulse
Materials	
sensor body	<ul style="list-style-type: none">• Brass, 316 SS
rotor	<ul style="list-style-type: none">• Polypro, PVDF (optional)
bearings	<ul style="list-style-type: none">• Ruby
shaft	<ul style="list-style-type: none">• Nickel-bound tungsten carbide• zirconia ceramic optional
Range	<ul style="list-style-type: none">• 0.2 - 30 FPS (.006-9 M/s)
Accuracy	<ul style="list-style-type: none">• +/-1%FS
Max Pressure	<ul style="list-style-type: none">• 200 psi (14 bar)
Max Temp	<ul style="list-style-type: none">• 200° F (93°C)
Pipe Size	
TX101	<ul style="list-style-type: none">• 2" - 10" (50-250mm)
TX201	<ul style="list-style-type: none">• 10" - 48" (250-1200mm)
Fitting Size	<ul style="list-style-type: none">• 1-1/2" NPT
Insertion Force	<ul style="list-style-type: none">• 0.44 x pressure in pipe
Power	<ul style="list-style-type: none">• 5 - 24 VDC, 1.5 mA
Cable	<ul style="list-style-type: none">• #22 AWG 3-con, 18' (6m)
Max. Cable Run	<ul style="list-style-type: none">• 2,000 ft. (650m)

General Information

Ruby bearings and a non-drag pick-off give these adjustable insertion turbine flow sensors a wide flow range and long life. A sensor detects the passage of miniature magnets in the eight rotor blades. The resulting square-wave signal can be sent for hundreds of feet without a transmitter, over unshielded cable. This signal can be connected directly to many PLC's and other controls without any additional electronics.

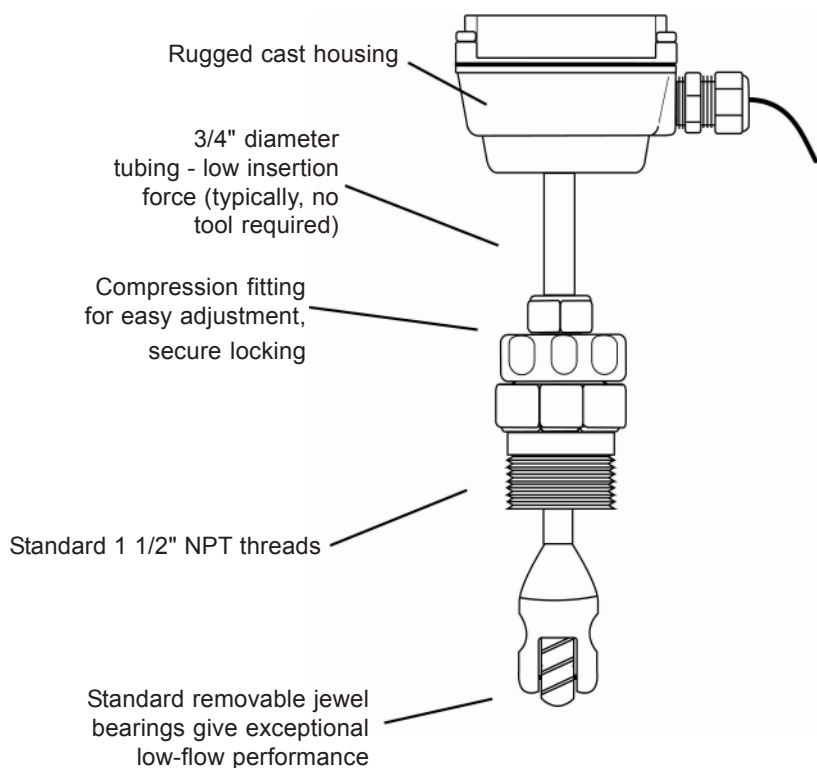
Installation fittings are standard 1-1/2" NPT. A depth adjustment system allows two basic sizes to cover pipe sizes from 2" to 48". Fittings such as saddles and weldolets may be purchased locally, and are also available from Valve and Filter.

A modular system of electronics can be installed directly on the flow sensor, in a splash-proof cast housing. The FT415/420 provide digital rate and total display, as well as programmable pulse. The FT420 also provides a 4-20 mA analog output. The AO55 is a blind analog transmitter. Programmable pulse for pump pacing comes from the PD10. Each of these controls is also available in a wall mount housing.

Valve and Filter

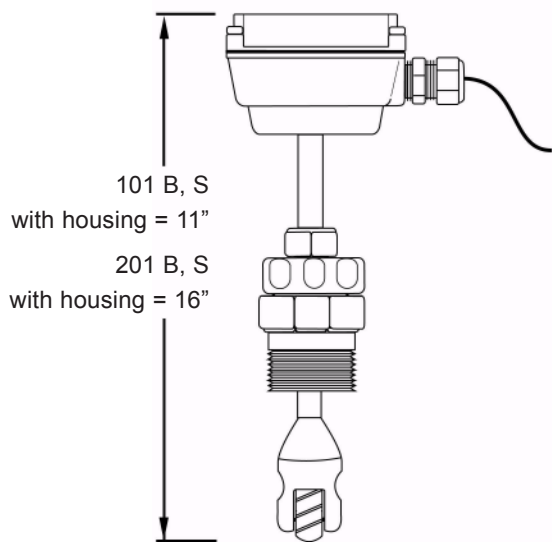
5270 Marshall Street, Arvada, CO 80002 USA
Phone 303-425-4242 Fax 303-425-0112
www.valveandfilter.com
sales@valveandfilter.com

Features



Flow Range (GPM)		
Pipe Size	Min Flow	Max Flow
2"	2	300
3"	5	700
4"	8	1,100
6"	18	2,500
8"	30	4,500
10"	50	7,000
12"	70	10,000
16"	110	16,000
24"	250	35,000

Dimensions



How To Order

Material codes: B = Brass
S = (316 SS)

Option codes:

TX101 - _ - _
TX201 - _ - _

OPTIONS:

- 03 Bidirectional flow (Hall-Effect only)
- 04 Micro-power sensor
- 05 PVDF rotor/ceramic shaft
- 06 LMI pump connector
- 07 SeaMetncs control connector
- 40 Submersible

Valve and Filter

5270 Marshall Street, Arvada, CO 80002 USA
 Phone 303-425-4242 Fax 303-425-0112
www.valveandfilter.com
sales@valveandfilter.com